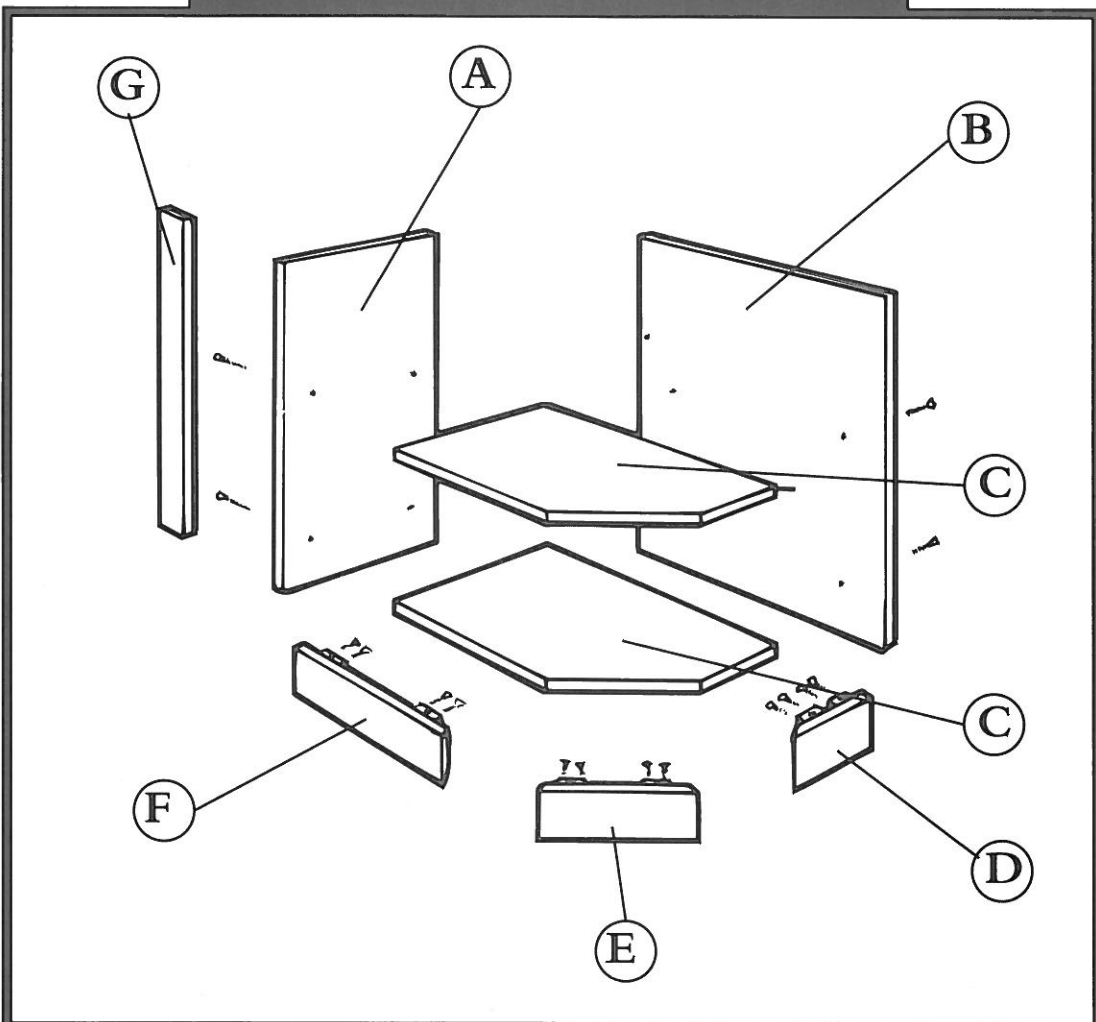


# BASE WING END UNITS

573mm Wing End  
696mm Wing End



## PARTS CHECK LIST

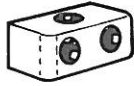
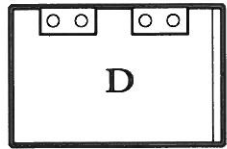
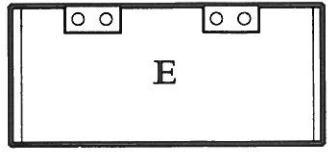
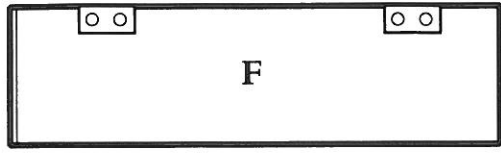
Code	Part	Qty
A	Back Panel	1
B	Side Panel	1
C	Shelf Panel	2
D	Short Plinth	1
E	Centre Plinth	1
F	Long Plinth	1
G	Filler Panel	1

### IMPORTANT

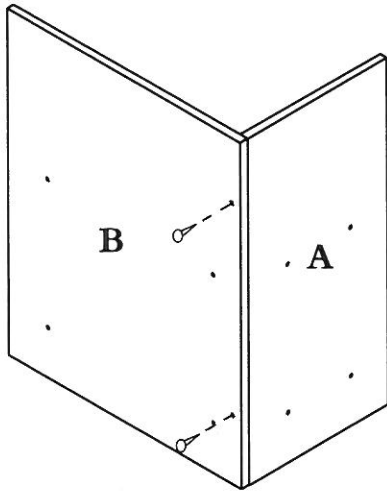
Before you begin, take a little time to familiarise yourself with these instructions and unpack the components carefully. Keep all the packaging until you have identified all the components and panels.

# Preparation

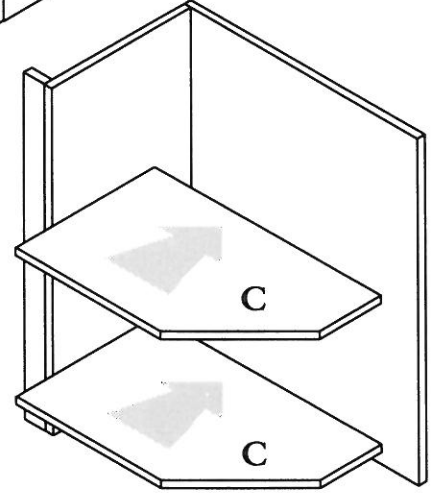
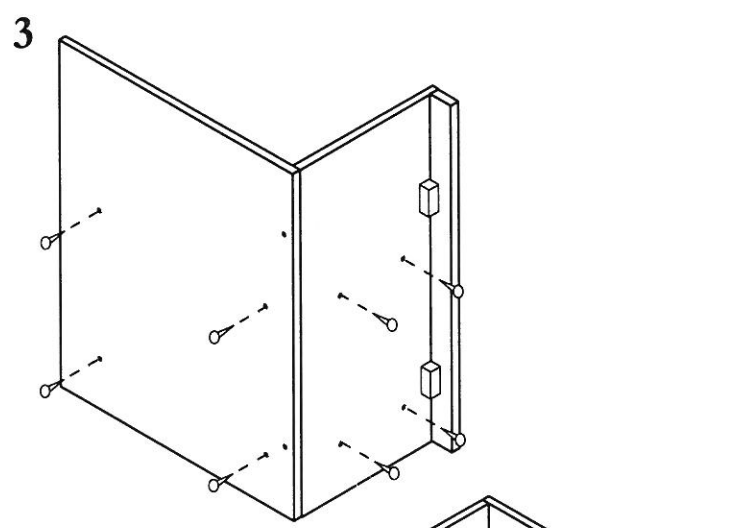
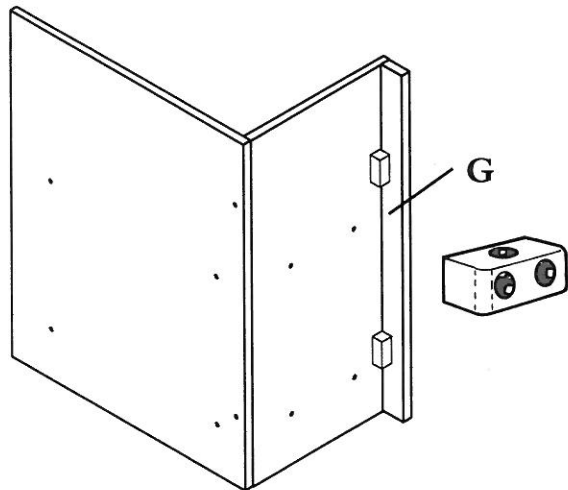
Decide whether the Wing End Unit is to be right or left handed. Left handed unit shown. For right handed units, reverse the instructions



1



2



4

