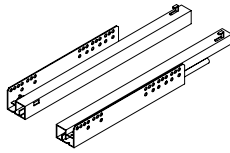


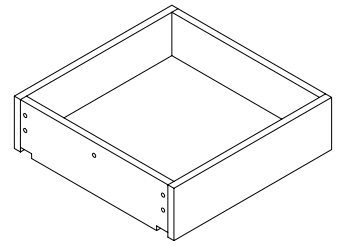
# Soft Closing Drawer Box Fitting Instruction

Please follow this instruction sheet in accordance with instruction sheets supplied in carcass packs. Read throughly before building units.

Full extension soft closing drawer runners:



Four sided drawer box:



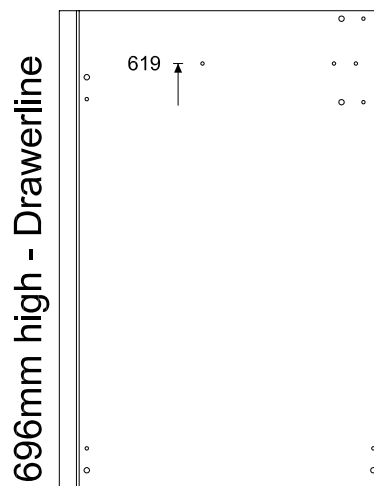
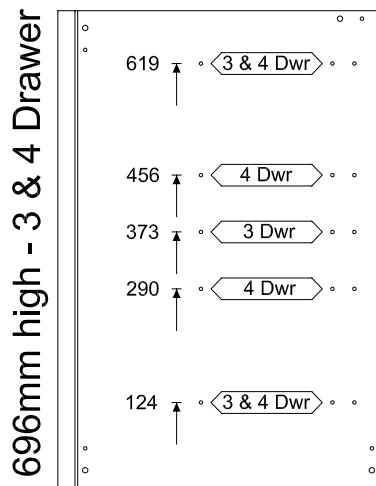
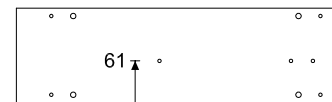
This drawer pack will include everything required to build your four sided drawer box, full extension drawer runners are supplied separately in pairs locate these before beginning.

## Step 1 - Positioning drawer runners

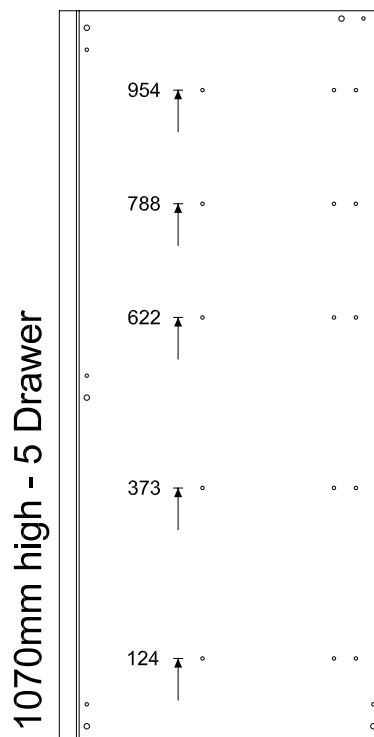
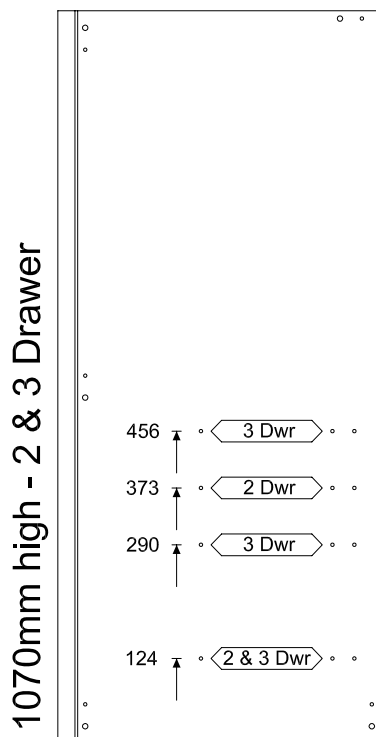
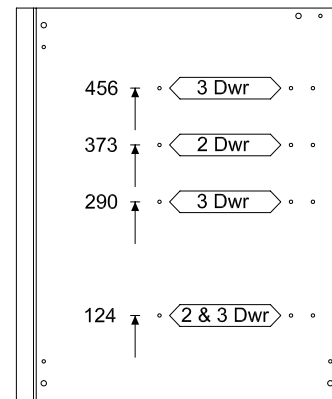
Select the type of unit being constructed then locate position on unit side panel. Please note, right handed panels shown, left hand panels opposite.

**ALL DIMENSIONS IN mm's**

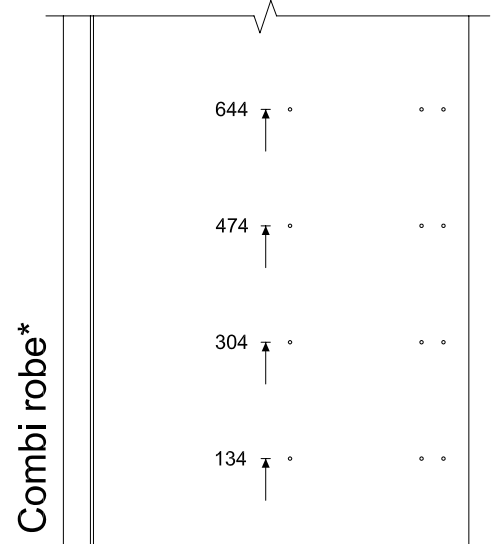
### Vanity Drawer



573mm High -  
2 & 3 Drawer chest



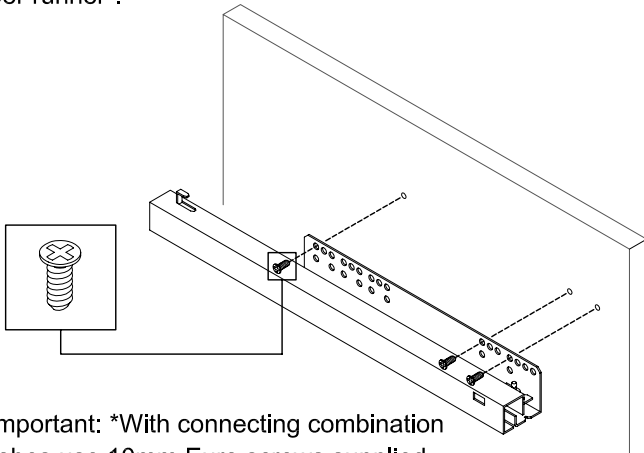
**\*Important: Combi robes do not come pre-drilled and are supplied with a template to drill.**



## Step 2 - Attaching drawer runners

### Side panels

Attach drawer runners using 13mm long euro screws - x3 per runner\*.



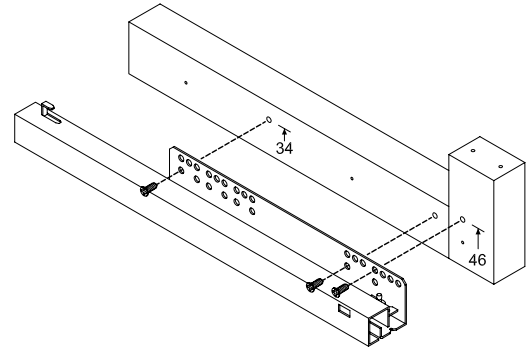
Important: \*With connecting combination robes use 10mm Euro screws supplied.

At this point your side panels will look similar to the example shown in the illustration (right). Check all the runners are in the correct position on both left and right handed panels.

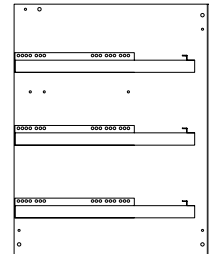
## Corner & Drawerline unit 'mid-way' rail

Follow instructions supplied with carcass pack for 'mid-way' rails before attaching drawer runners.

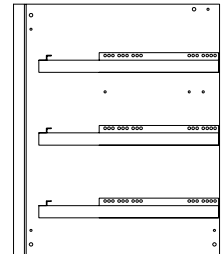
Important: For two rear-most holes use lower hole position on drawer runners to attach. To do this fully extend the runner.



LHD SIDE

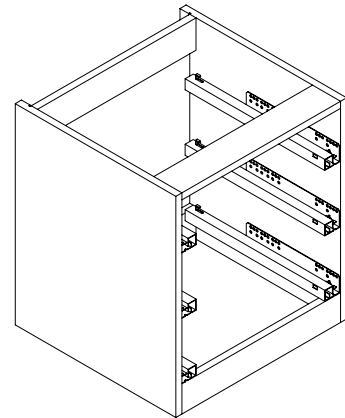


RHD SIDE



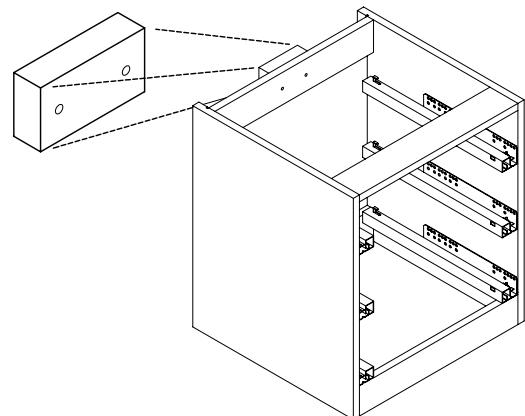
## Step 3 - Building units

Now follow the instruction leaflet supplied inside your carcass pack. Ignore any references to our standard runner positioning and drawer box construction. A built up three drawer unit will look similar to the example shown in the illustration (right).



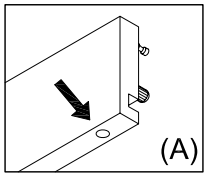
## IMPORTANT

To prevent 'tipping' drawer units must be fixed to the back wall. Use a suitable timber block like MDF or small fixing bracket. Always use appropriate fixings for wall type.

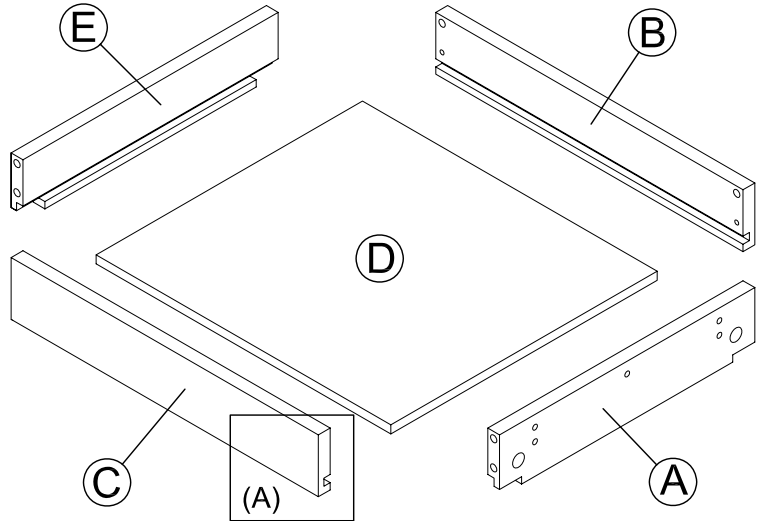


## Step 4 - Building drawer boxes

**IMPORTANT:** Side panels B and C are handed via a small hole on the bottom edge. See (A).

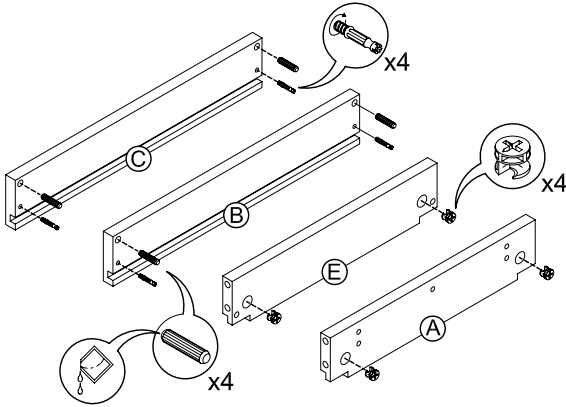


- A Front panel
- B RHD side panel
- C LHD side panel
- D Bottom panel
- E Rear panel

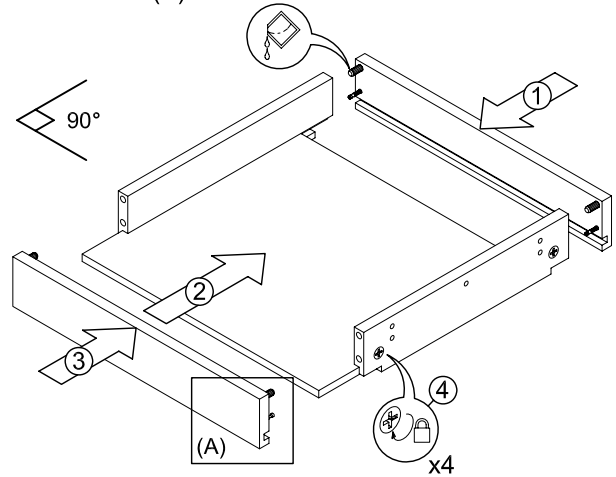


### 68mm High drawer boxes

**4.1** - Position and fix all fittings, apply PVA glue to timber dowels & position arrow on metal cam face outwards.

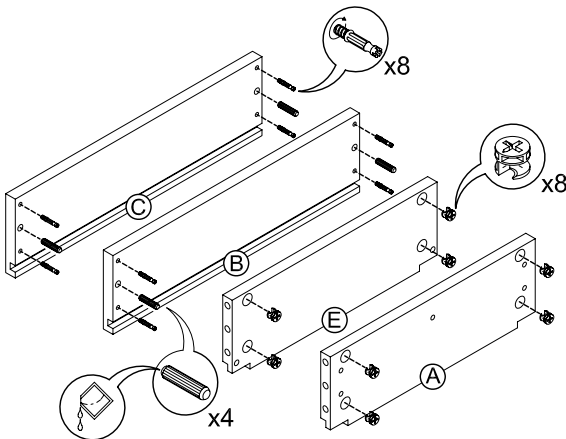


**4.2** - With All panels in position check squareness and lock cams using a philips screw driver. Please take note of illustration (A).

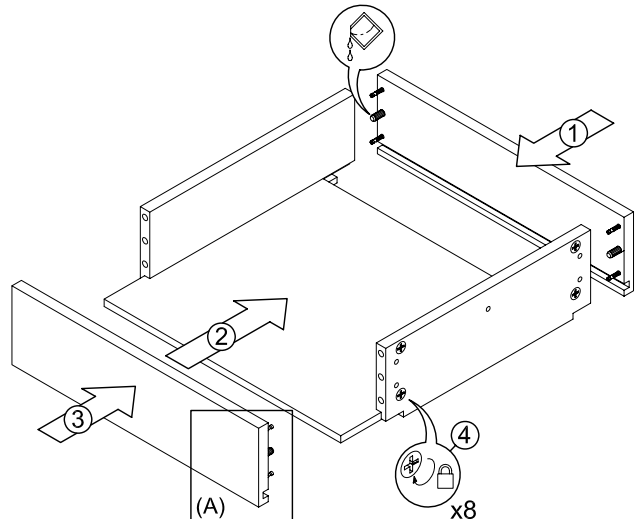


### 108mm & 191mm High drawer boxes

**4.3** - Position and fix all fittings, apply PVA glue to timber dowels & position arrow on metal cam face outwards.



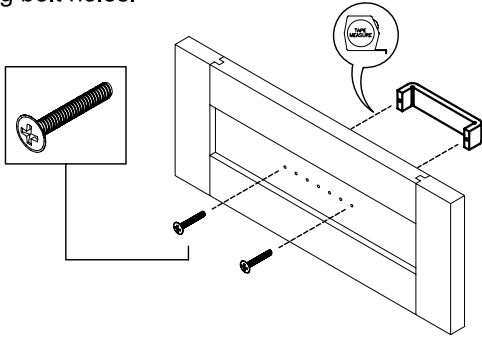
**4.4** - With All panels in position, lock cams using a philips screw driver. Please take note of illustration (A).



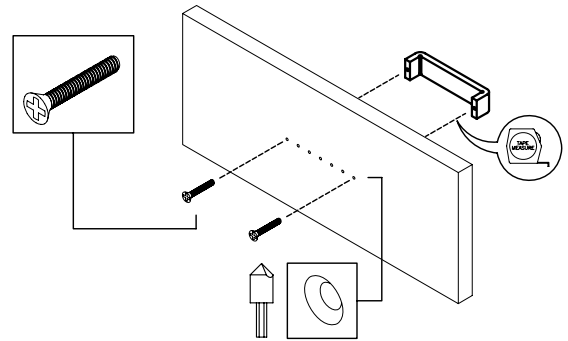
## Step 5 - Fitting handles

Select the type of frontal from the illustrations below and use the appropriate bolt pack.

**Frontals with recessed reverse:** Use pan head bolt pack (supplied with handles). Check handle centres prior to drilling bolt holes.



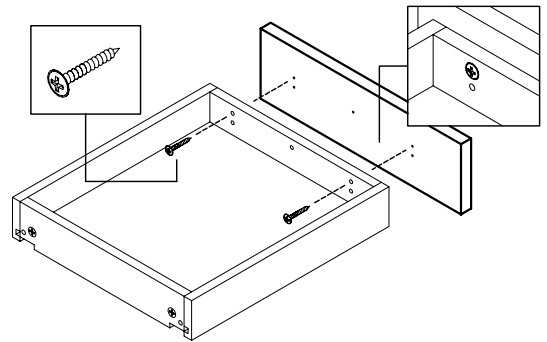
**Frontals with a flat reverse:** Use the countersunk bolt pack: FPK911 (supplied with drawer packs). Check handle centres prior to drilling & countersink the bolt holes.



## Step 6 - Attaching frontal to drawer box

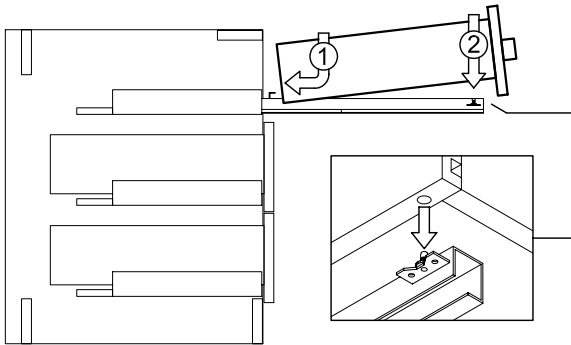
Inside fitting pack: FPK912 are x5 pan head screws. Use x2 of the screws as shown in the illustration to attach the frontal to the drawer box - Do not fully tighten at this stage.

The remaining x3 will be fitted at a later stage after adjustment. Please also note a template will be supplied to pilot drill the frontal if the holes are not supplied pre-drilled\*



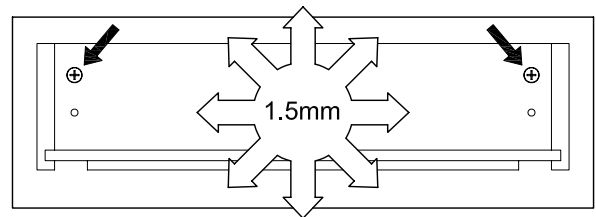
## Step 7 - Fitting drawer to unit

Fully extend the drawer runners at each side manually and locate the drawer box onto the drawer runners.



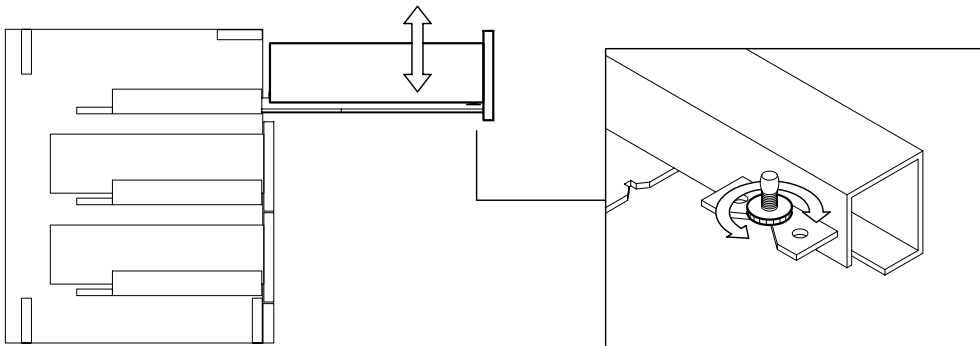
## Step 8 - Adjustment No 1

Loosen the pan head screws fitted in step 6 so there is just enough grip to allow the movement of the frontal on the drawer box. Now aline frontal and re-tighten. Repeat on all drawer frontals. Once final fit the remaining x3 pan head screws to secure the drawer box.



## Step 9 - Adjustment No 2

Via dial on drawer runners for vertical adjustment.



\*Template are being supplied on a temporary basis whilst stock levels of drilled frontals are built up.