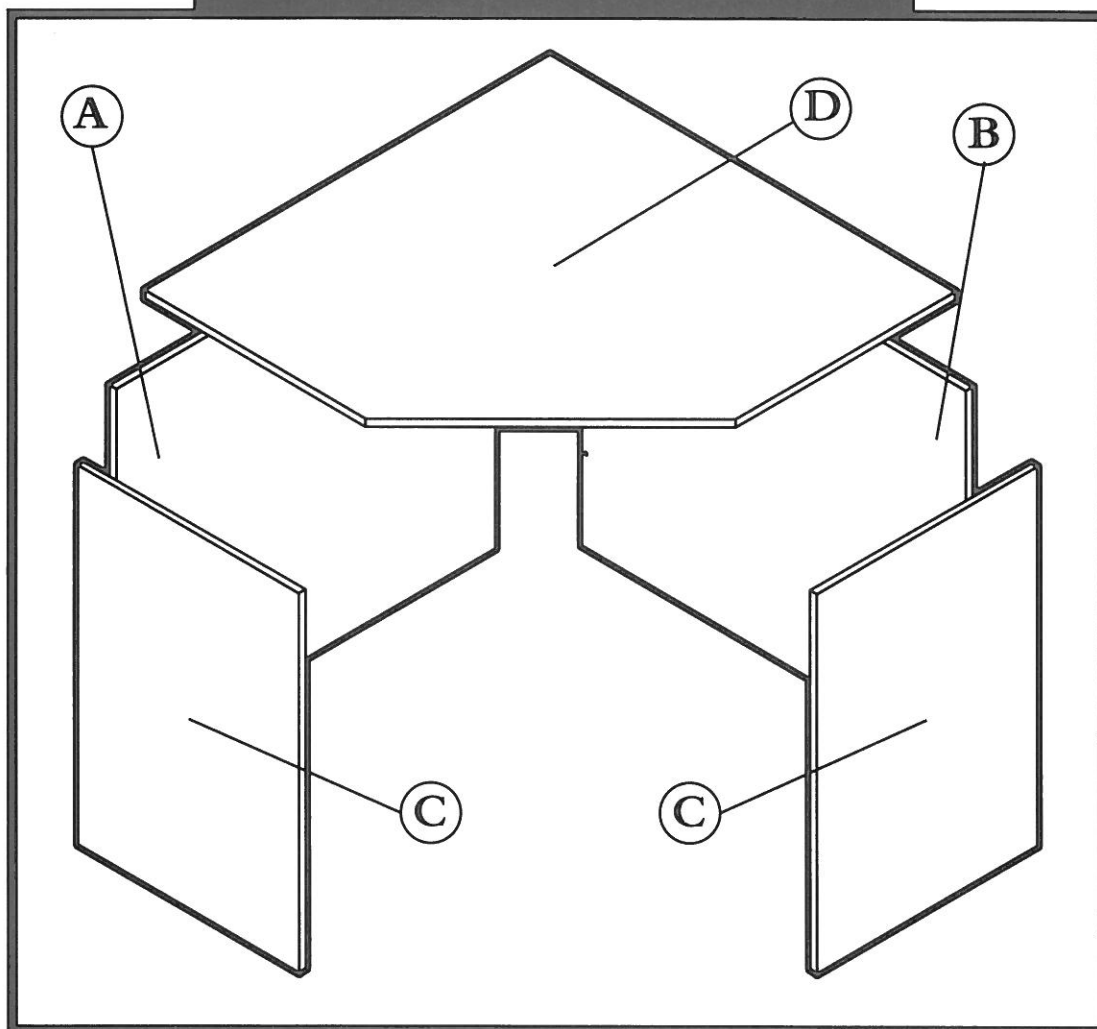


CORNER VANITY UNIT



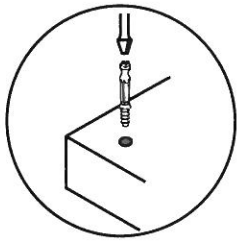
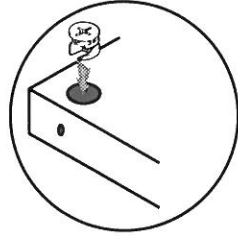
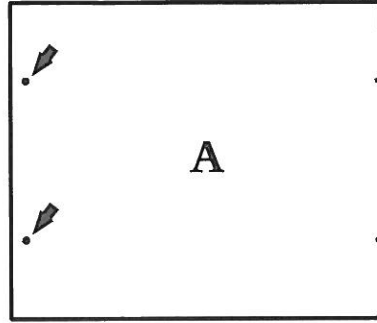
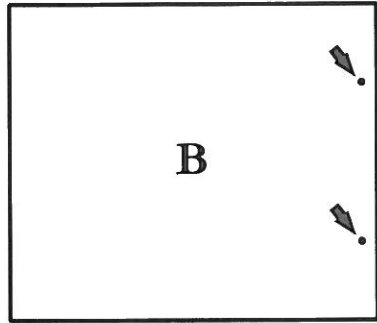
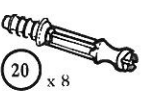
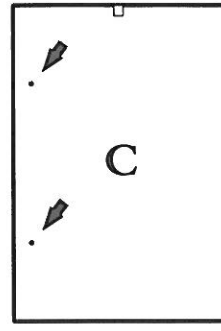
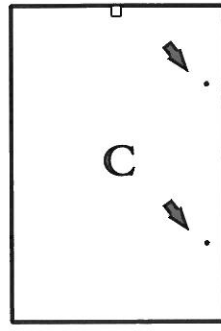
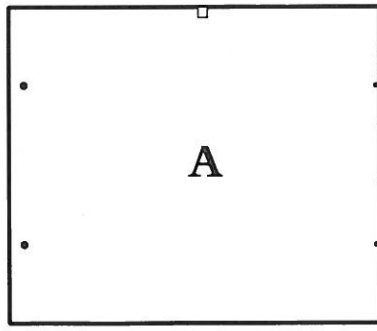
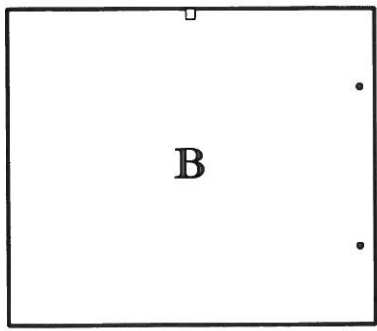
PARTS CHECK LIST

Code	Part	Qty
A	Left Hand Back Panel	1
B	Right Hand Back Panel	1
C	Side Panels	2
D	Top	1

IMPORTANT

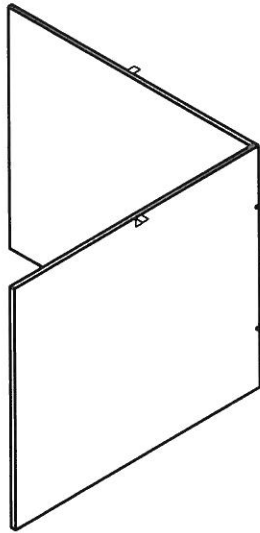
Before you begin, take a little time to familiarise yourself with these instructions and unpack the components carefully. Keep all the packaging until you have identified all the components and panels.

Preparation

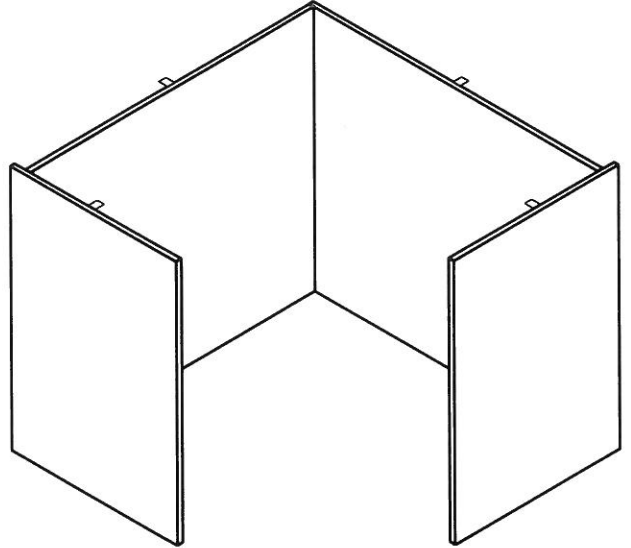


Assembly

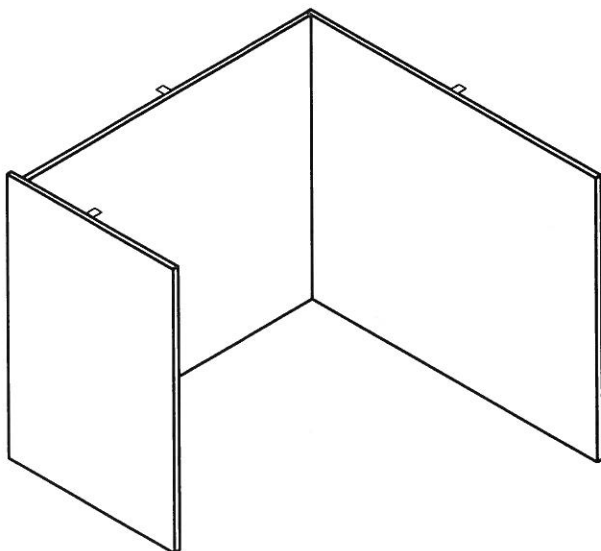
1



3



2



4

