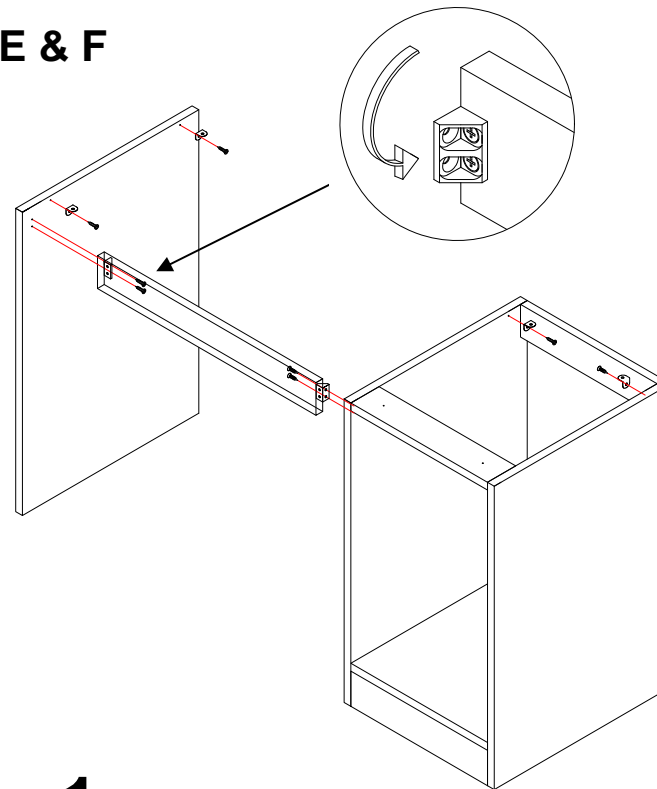
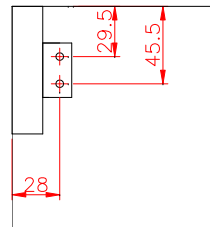


# Vanity Unit Assembly Instructions

## Low Level Furniture Packs E & F

End Panel / Cabinet  
drilling pattern



### **Fixings Pack Components**

Please Note: We recommend all fixing points are pilot drilled prior to assembly.



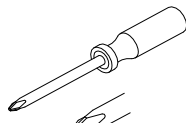
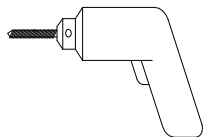
4 x L - Bracket



12 x 5/8 x 8 c/s  
Screw



2 x 33mm x 8 c/s  
Screw



# 1

Position units in designated area prior to assembly

**Using 5/8 x 8 c/s Screws:**

- Attach L-Brackets to the end panel & inner cabinet sides
- Fix Knee Batten flush with the front of end panel & cabinet

# 2

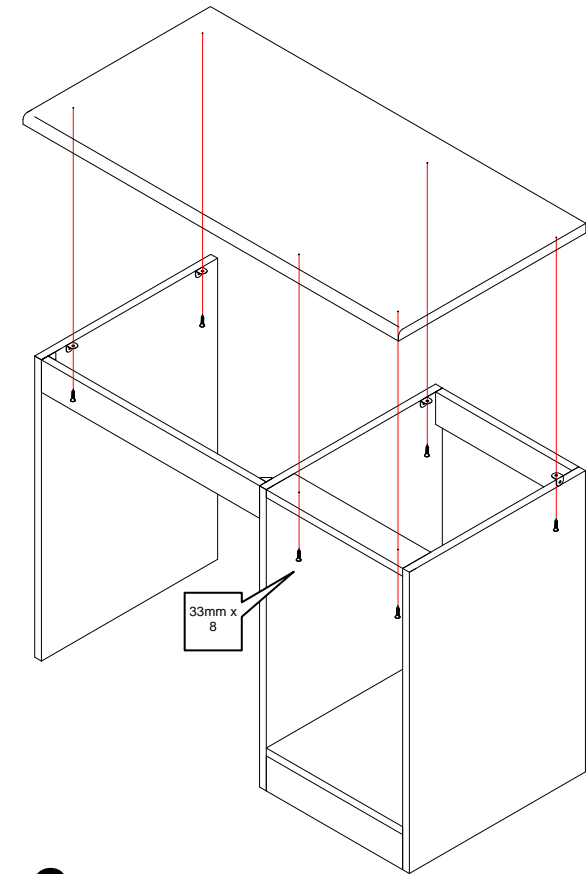
Position Worktop flush to the rear of unit with a 1mm over hang at either end

**Using 33mm x 8 c/s Screws:**

- Screw up through Cabinet Front Rail & into Worktop

**Using 5/8 x 8 c/s Screws:**

- Complete the unit by fixing worktop through all remaining L-Brackets



Symphony®