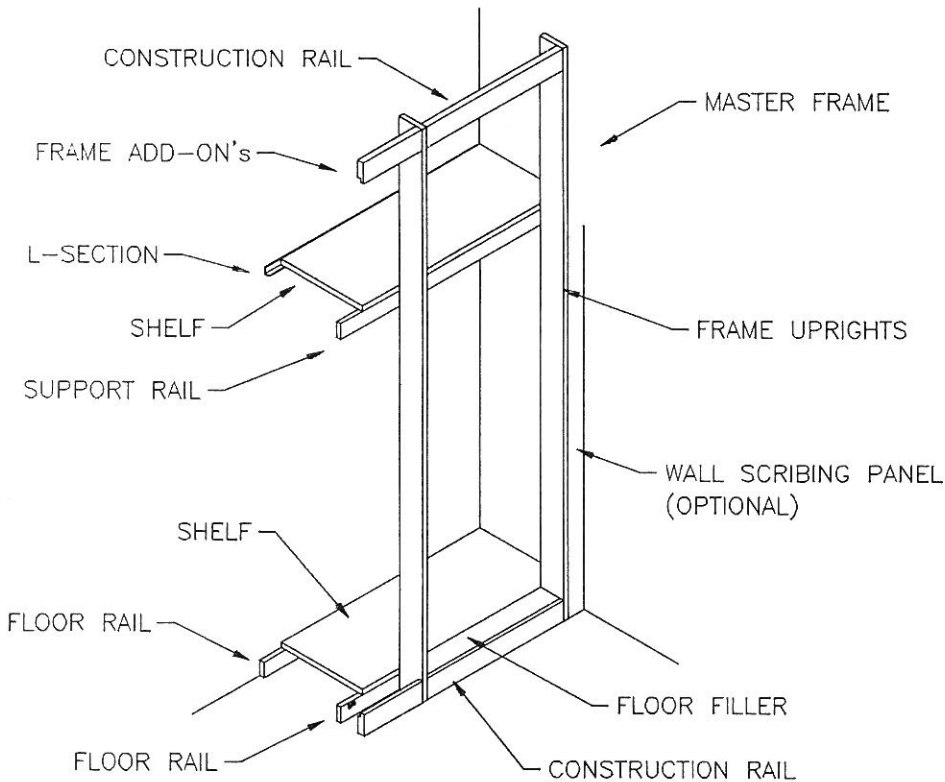


PD FRONT FRAME SYSTEM ASSEMBLY



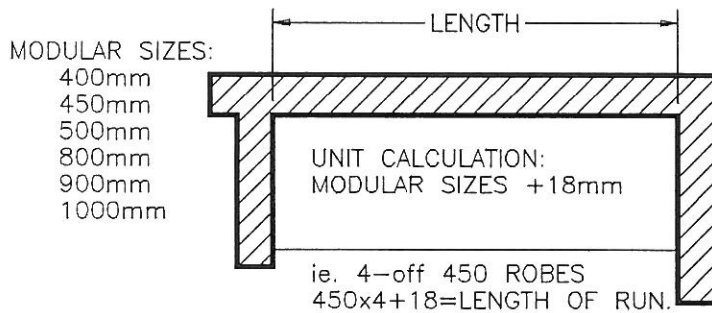
USING THE ADD-ON'S

EACH RUN OF ROBES WILL START WITH A MASTER FRAME WHICH CONTAINS 2 UPRIGHTS, EACH ADD-ON THEREAFTER ONLY CONTAINS 1 UPRIGHT. THE UPRIGHTS ARE THROUGH DRILLED TO ALLOW FOR FIXING FROM BOTH SIDES. THIS SYSTEM AS BEEN DESIGN TO MAINTAIN THE CORRECT GAP SETTING BETWEEN EACH FRONTAL.

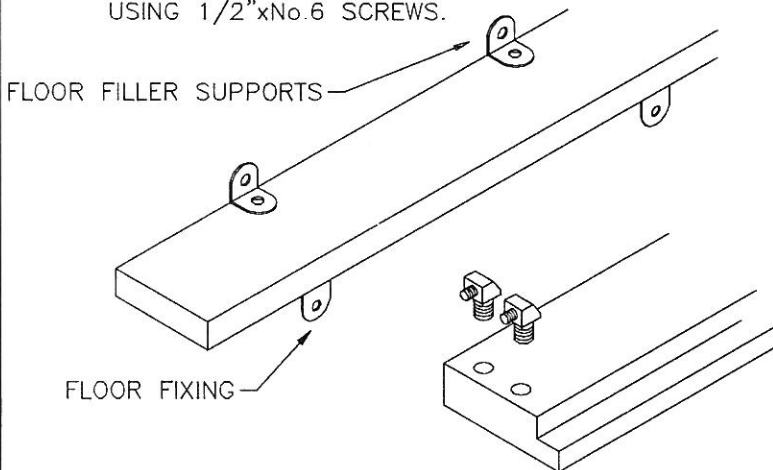
PANEL LISTING:

SHELVES:	1200x509
	2440x509
FLOOR FILLERS:	382x78
	432x78
	482x78
	782x78
	882x78
	982x78
FLOOR RAILS:	1200x73
	2440x73

1. DETERMINE THE LENGTH OF THE SHELVES AND FLOOR/SUPPORT RAILS, CUT TO LENGTH AS REQUIRED.

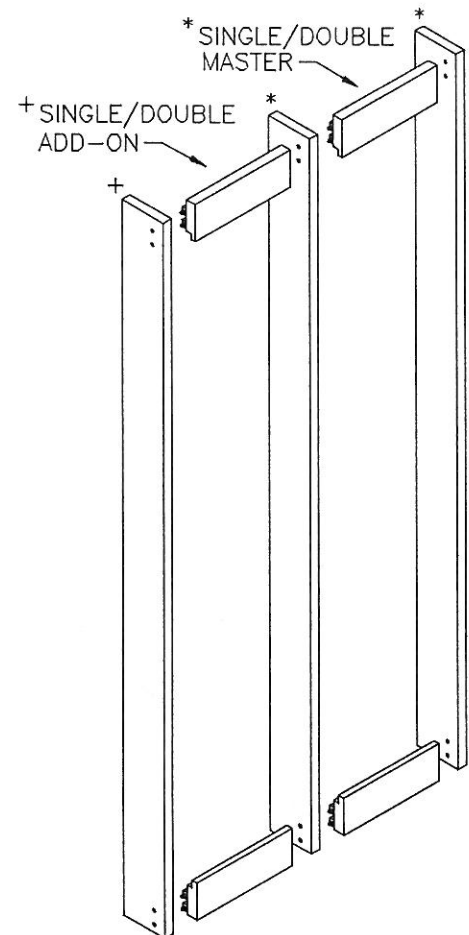


2. SECURE THE ANGLE BRACKETS TO ONE OF THE FLOOR RAIL USING 1/2" x No.6 SCREWS.

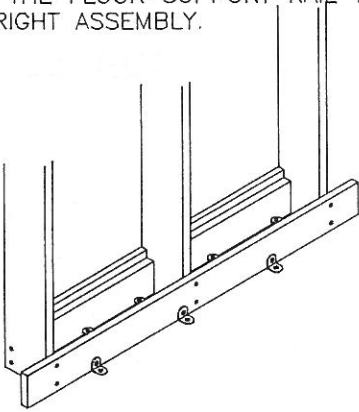


KNOCK IN THE EURO SCREW FITTINGS INTO THE CONSTRUCTION RAILS

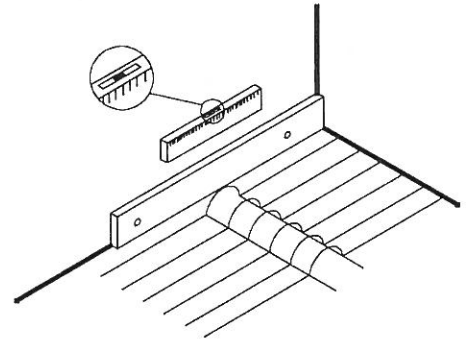
3. ASSEMBLE THE UPRIGHTS AND CONSTRUCTION RAILS TO FORM THE FRAME.



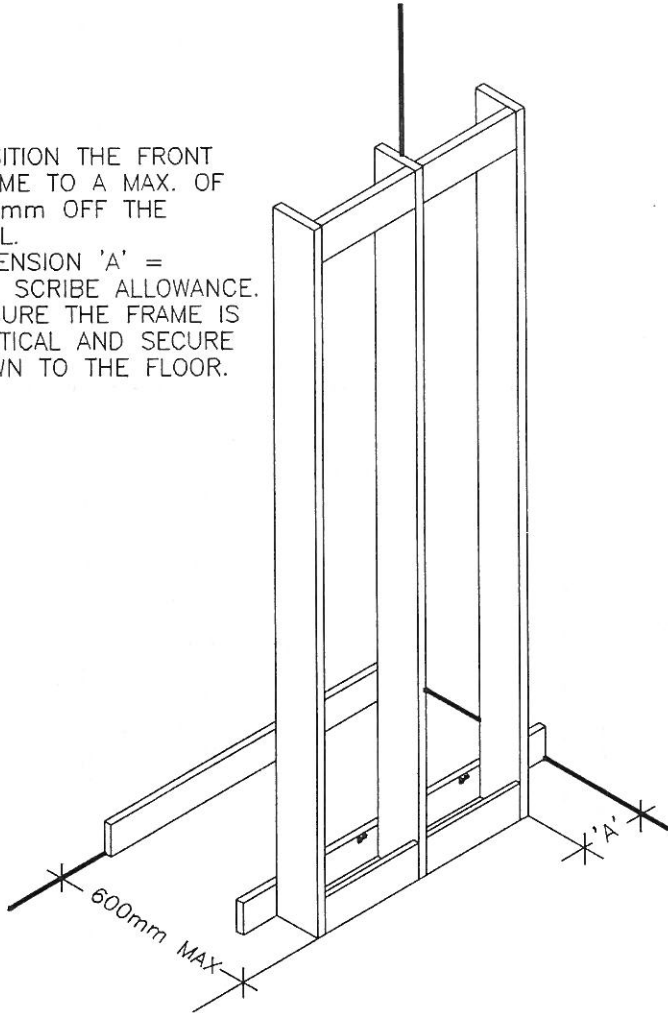
4. ALLOWING FOR THE REQUIRED WALL SCRIBE, SECURE THE FLOOR SUPPORT RAIL TO THE UPRIGHT ASSEMBLY.



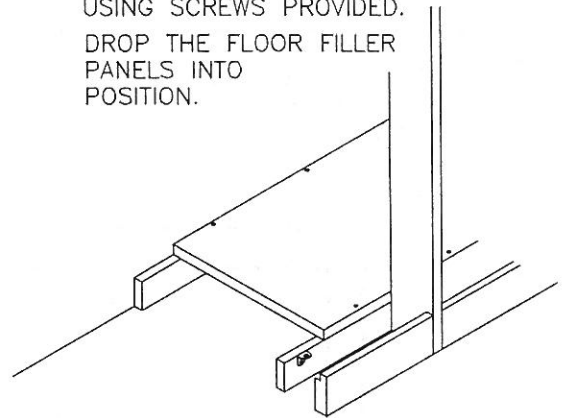
5. SECURE THE OTHER FLOOR SUPPORT RAIL TO THE WALL/SKIRTING USING SUITABLE FIXINGS. ENSURE THAT IT IS LEVEL AND POSITIONED AT THE HIGHEST POINT OF THE FLOOR.



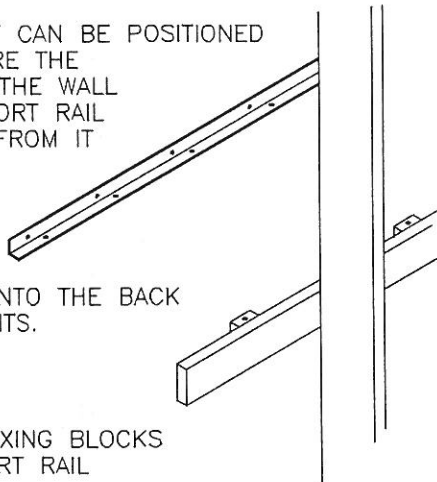
6. POSITION THE FRONT FRAME TO A MAX. OF 600mm OFF THE WALL. DIMENSION 'A' = THE SCRIBE ALLOWANCE. ENSURE THE FRAME IS VERTICAL AND SECURE DOWN TO THE FLOOR.



7. IF REQUIRED, SCRIBE THE BOTTOM SHELF PANEL INTO POSITION. SECURE TO THE FLOOR RAILS USING SCREWS PROVIDED. DROP THE FLOOR FILLER PANELS INTO POSITION.



8. THE TOP SHELF CAN BE POSITIONED TO SUIT. SECURE THE L-SECTION TO THE WALL AND THE SUPPORT RAIL HORIZONTALLY FROM IT



BY SCREWING INTO THE BACK OF THE UPRIGHTS.

SECURE THE FIXING BLOCKS TO THE SUPPORT RAIL

9. FIT THE TOP SHELF. SECURE BY THE L-SECTION AND THE FIXING BLOCKS.

