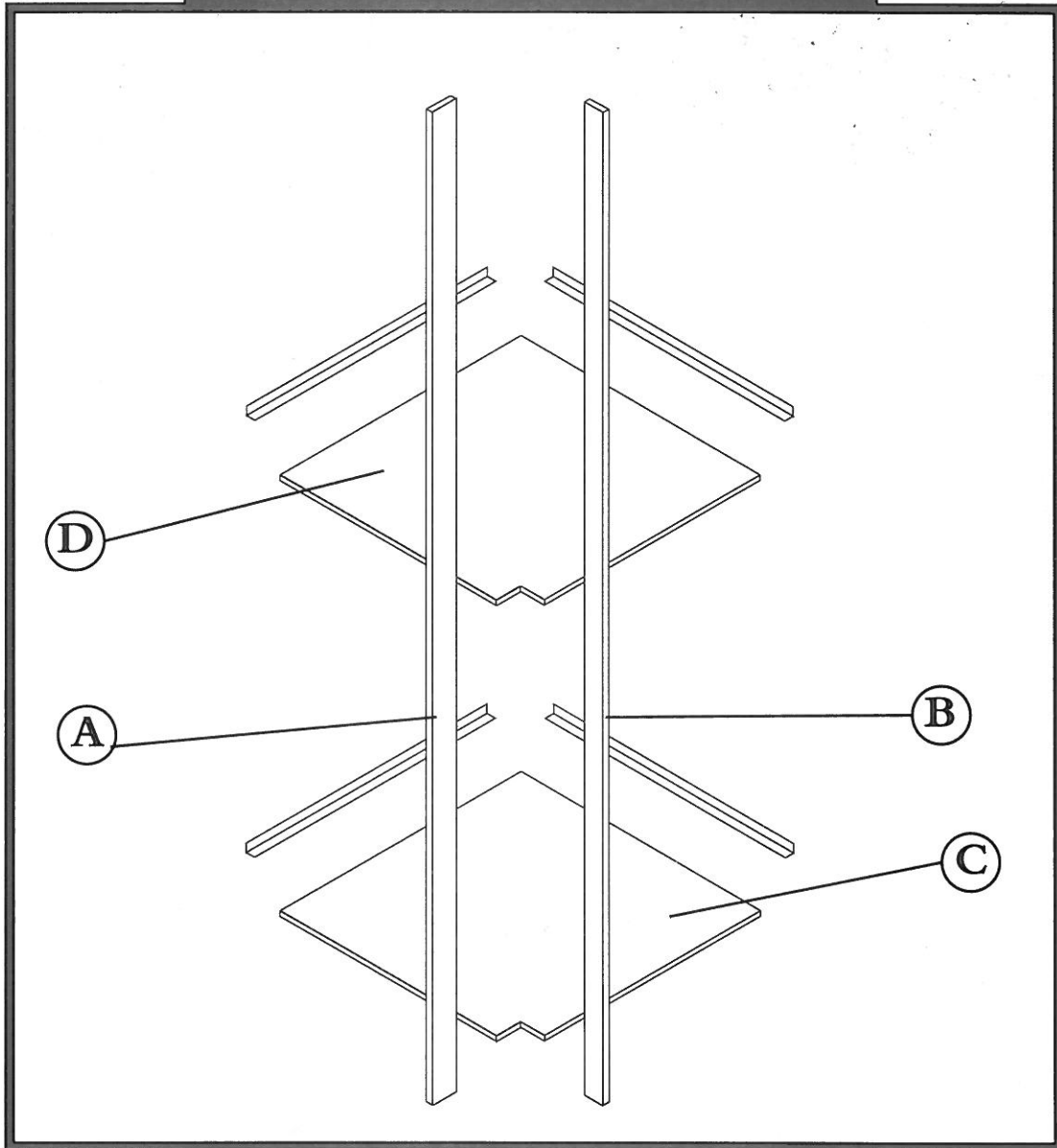


FRAME CORNER ARRANGEMENT



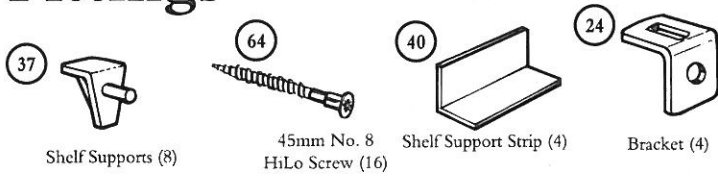
PARTS CHECK LIST

Code	Part	Qty
A	Wide Corner Post	1
B	Narrow Corner Post	1
C	Bottom Panel	1
D	Shelf	1

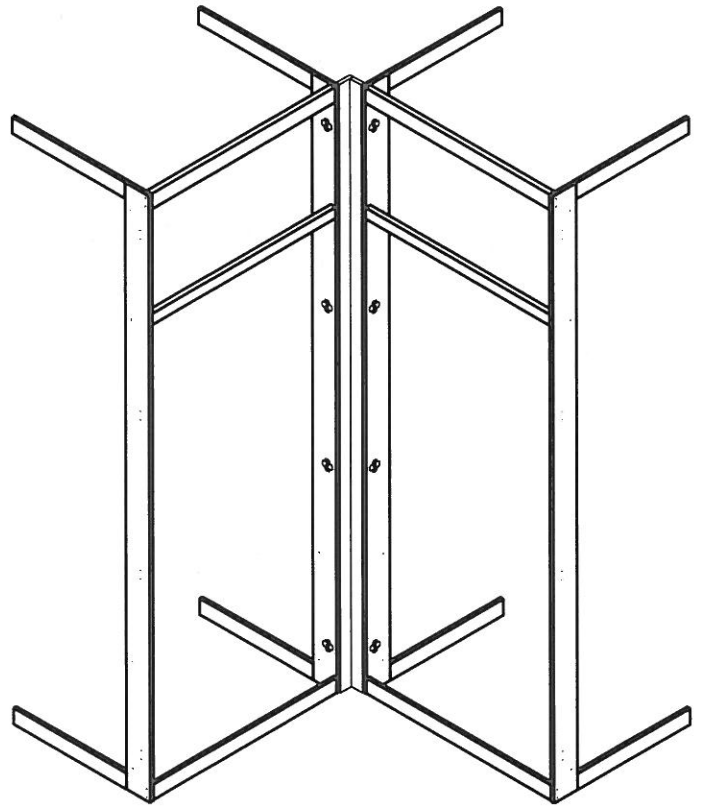
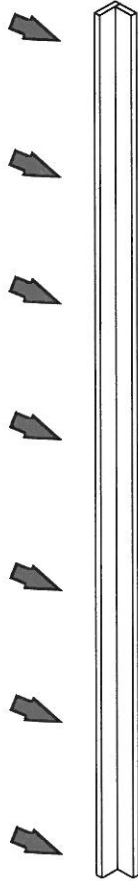
IMPORTANT

Before you begin, take a little time to familiarise yourself with these instructions and unpack the components carefully. Keep all the packaging until you have identified all the components and panels.

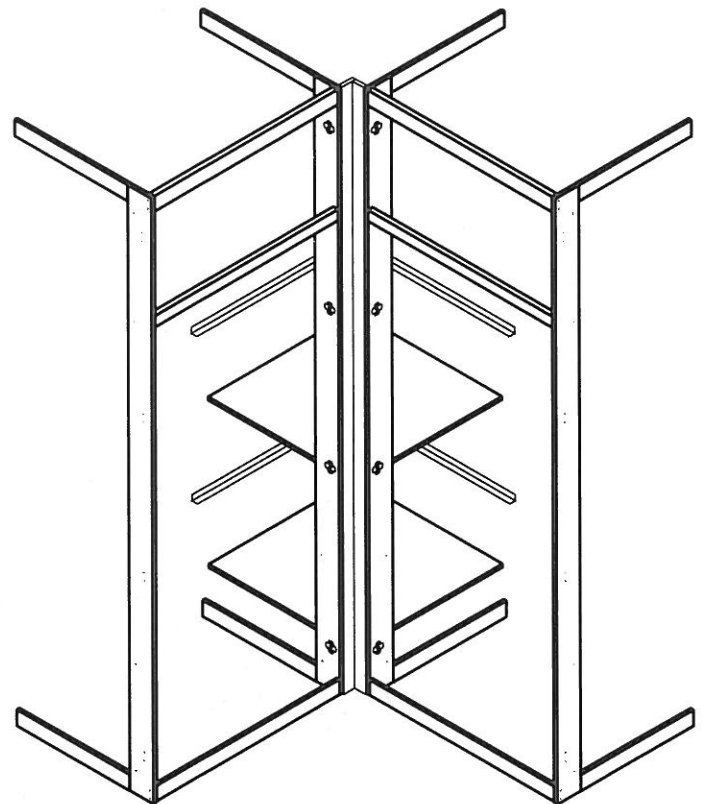
Fittings



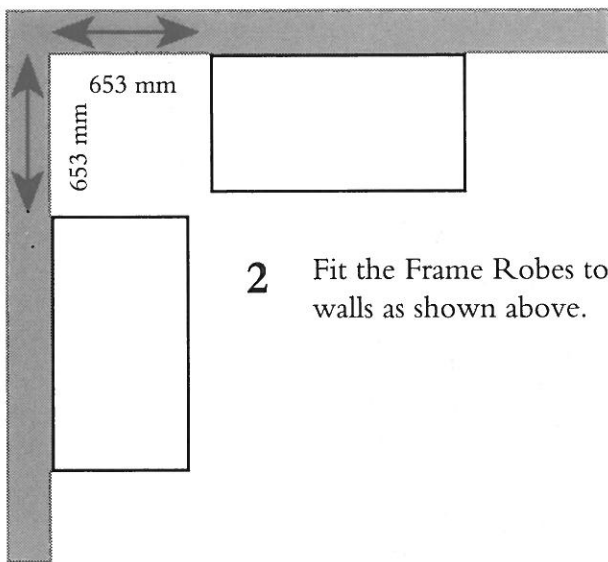
- 1 Screw Corner Posts A & B together using 8 x type 64 screws.



- 3 Screw the Corner Post assembly to the Frame Robes, using 8 x type 64 screws.



- 4 Insert the Bottom Panel, using Shelf Supports and Shelf Support Strip
- 5 Fit the Shelf at the required height, using Brackets and Shelf Support Strip.



- 2 Fit the Frame Robes to the walls as shown above.