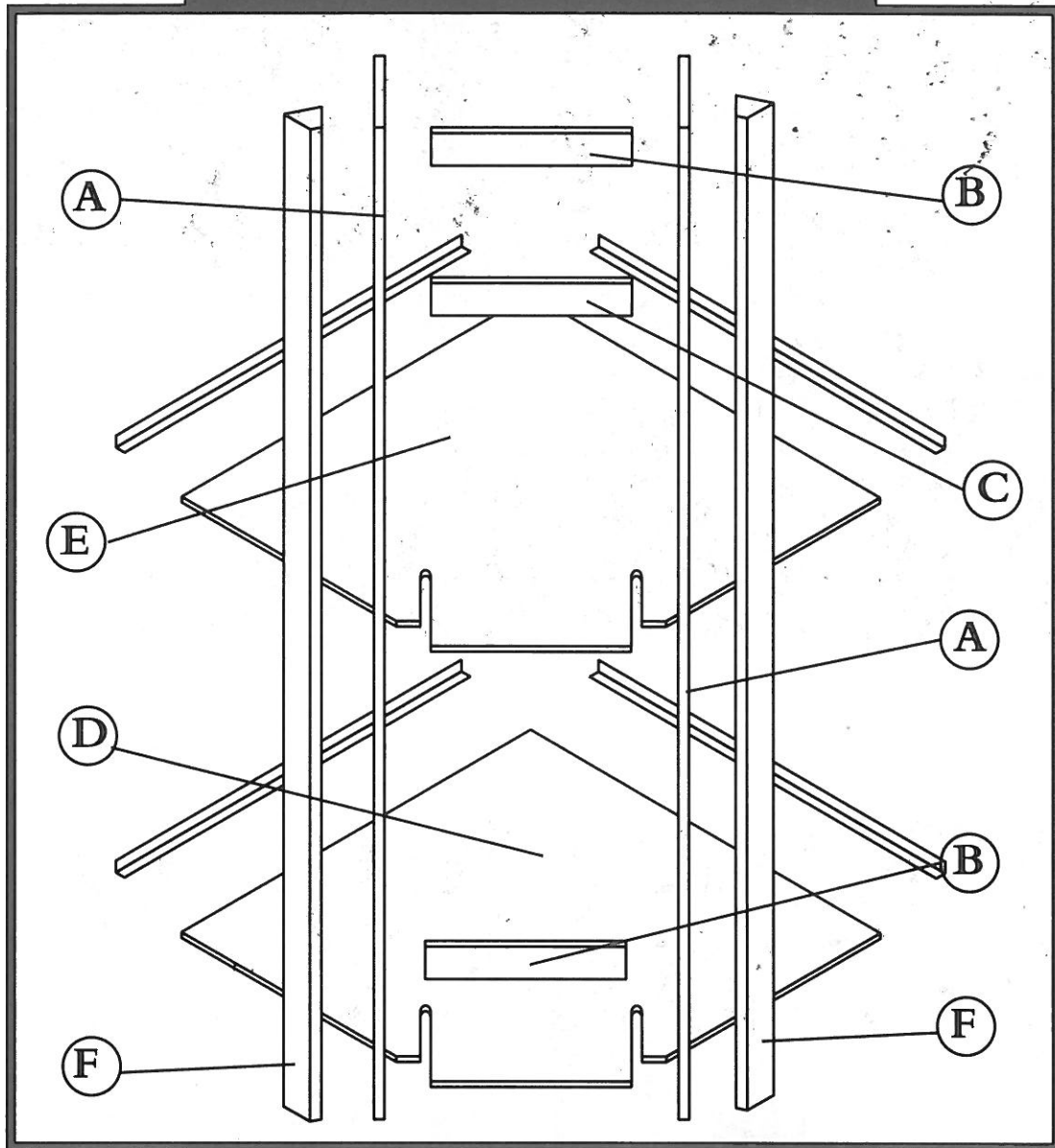


# DIAGONAL FRAME CORNER UNIT



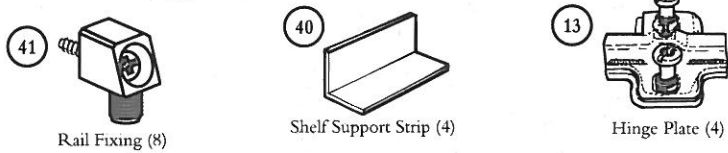
## PARTS CHECK LIST

Code	Part	Qty
A	Uprights	2
B	Top & Bottom Rails	2
C	Mid Rail	1
D	Bottom Panel	1
E	Shelf	1
F	Corner Fillets	2

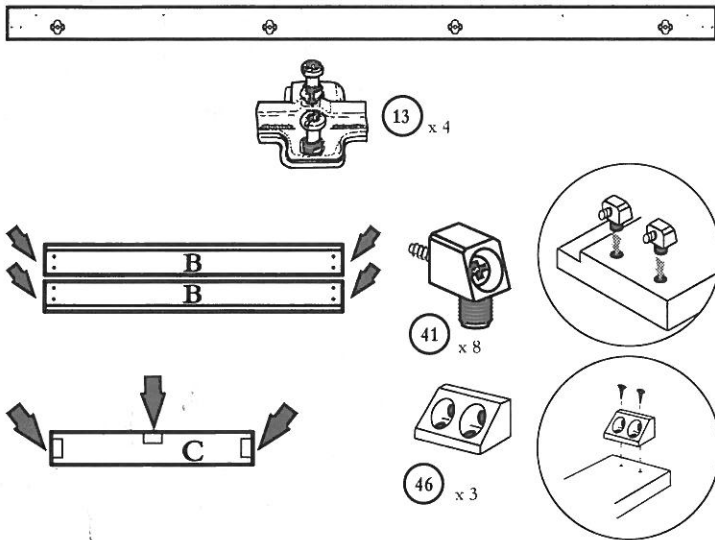
### IMPORTANT

Before you begin, take a little time to familiarise yourself with these instructions and unpack the components carefully. Keep all the packaging until you have identified all the components and panels.

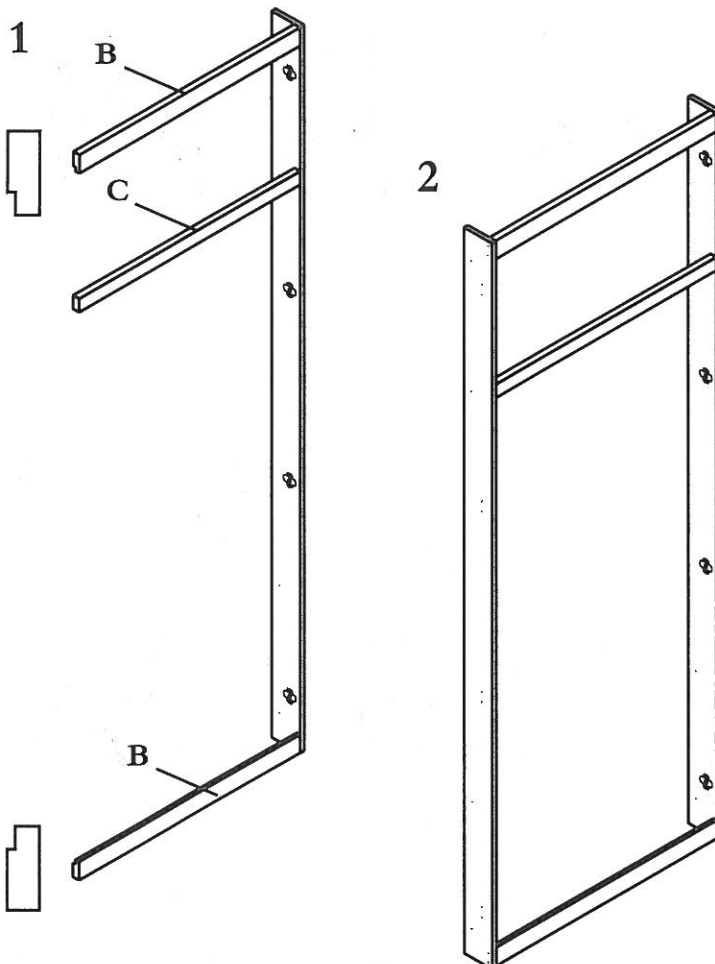
# Fittings



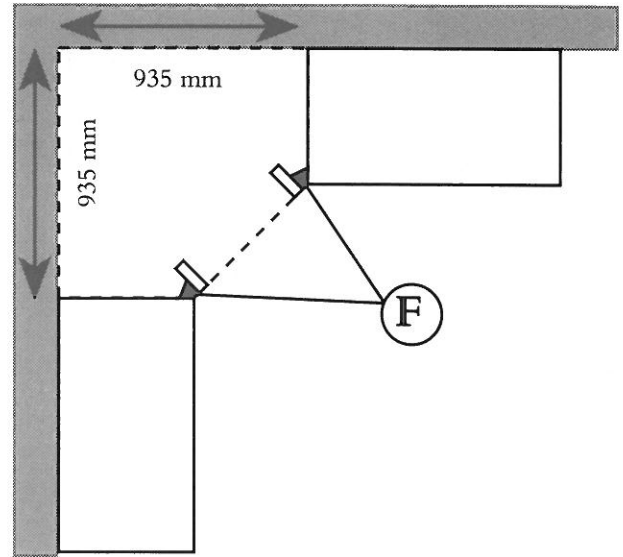
# Preparation



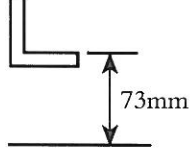
# Assembly



# Positioning



# Installation

- 1 Fit 2 Shelf Support Strips (40) to the walls at a height of 73mm, from floor level, using fixings suitable for the purpose. 
- 2 If using the Mid Shelf (E), fit 2 Shelf Support Strips (40) to the walls at the desired height.
- 3 Screw the Corner Fillets (F) to each abutting cabinet side as shown above.
- 4 Position the Bottom Panel (D) (and the Shelf, if used) on to the Shelf Support Strips.
- 5 Position the assembled Front Frame into the grooves in the Bottom Panel (and Shelf, if used)
- 6 Screw through the Front Frame into the Corner Fillets.