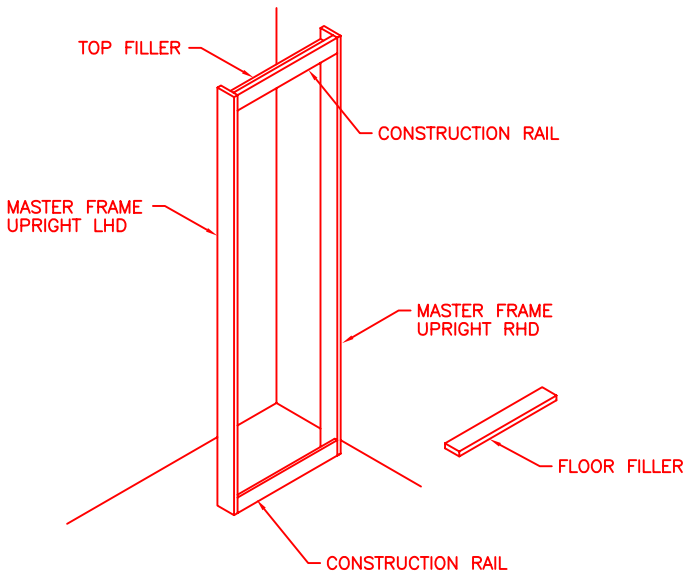


FRONT FRAME SYSTEM INFO PACK

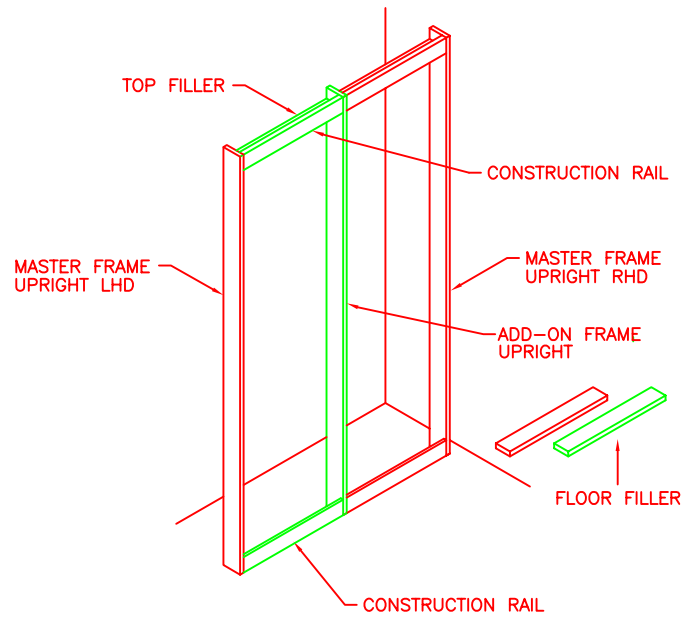
(THIS DOCUMENT SHOULD BE VIEW AND PRINTED IN COLOUR)

01 Please note: Bottom fillers are/can-only be used in the instance where a bottom shelf pack is provided



Master Frame Robe Pack

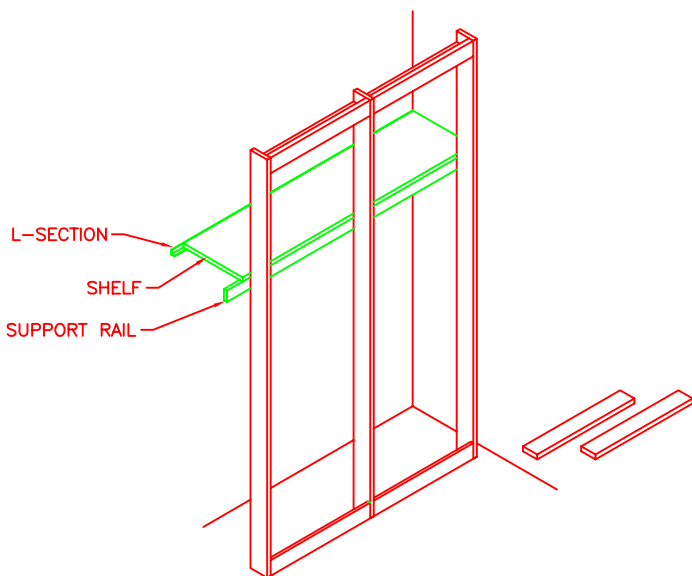
02



Add-On Robe Pack

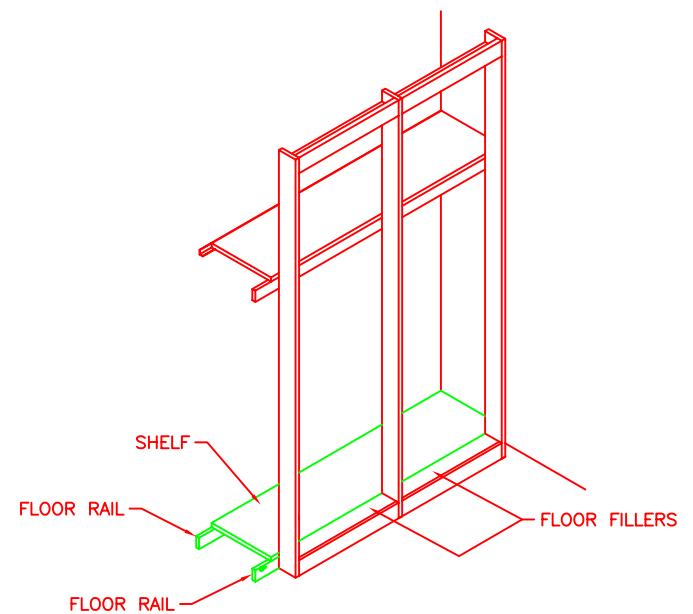
Master Frame Robe Pack

03



Shelf Pack

04 With the addition of a base shelf pack the floor fillers can now be fitted in place as the floor rail supplied in the base shelf pack supports the filler.

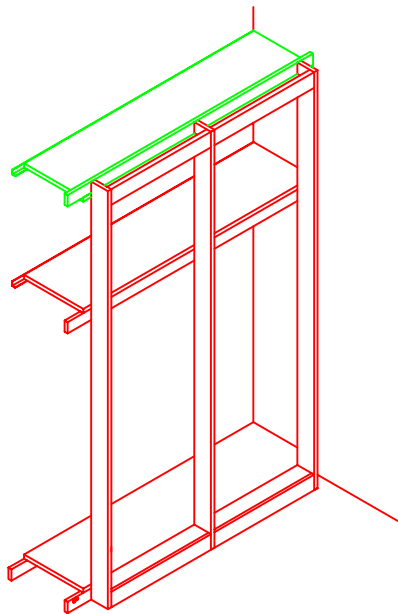


Base Shelf Pack

FRONT FRAME SYSTEM INFO PACK

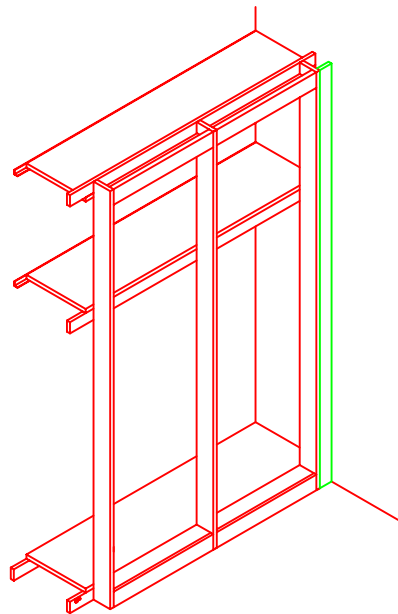
(THIS DOCUMENT SHOULD BE VIEW AND PRINTED IN COLOUR)

05 Please note: A 'Top Shelf Pack' contains the same items as supplied with the 'Shelf Pack' – The difference is in the way it is fitted.



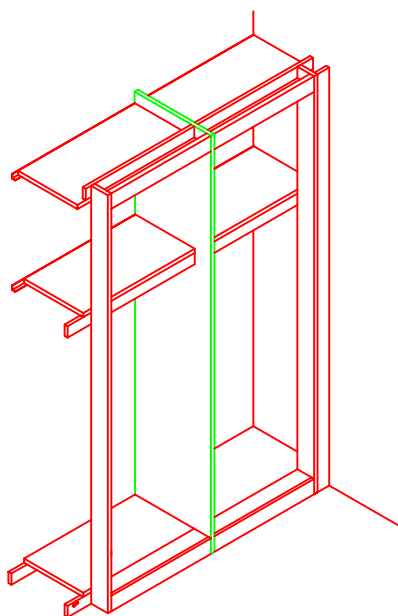
■ Top Shelf Pack

06



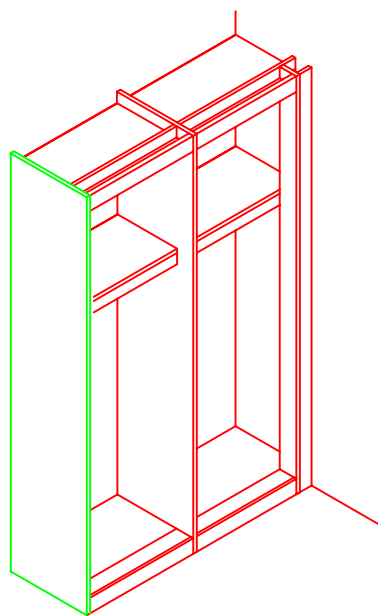
■ Scribe

07



■ Internal Divider

08



■ End Panel

FRONT FRAME SYSTEM INFO PACK

(THIS DOCUMENT SHOULD BE VIEW AND PRINTED IN COLOUR)

REF	DESCRIPTION	ORDER CODE	ADDITIONAL INFO
01	MASTER ROBE PACK	VARIOUS-SEE CATALOGUE	WIDTHS: 418,468,518,818,918,1018
02	ADD-ON ROBE PACK	VARIOUS-SEE CATALOGUE	WIDTHS: 400,450,500,800,900,1000
03	SHELF PACK	FSSC12 & FSSC24	LENGTH: 1200mm & 2400mm
04	BASE SHELF PACK	FSBC12 & FSBC24	LENGTH: 1200mm & 2400mm
05	(TOP) SHELF PACK	FSSC12 & FSSC24	LENGTH: 1200mm & 2400mm
06	SCRIBE/FILLER	PRI__ - 50,75,150,300,592	18mm MFC MATERIAL UNGROOVED AND UNDRILLED. CAN ALSO BE USED AS CEILING INFILL PANELS
07	INTERNAL DIVIDER	SICAU	TO DIVIDE A RUN OF ROBES AND HANG DOORS, DRILLED THROUGH TO ACCEPT FITTINGS ON BOTH SIDES
08	END PANEL	FEU	TO FINISH A RUN OF ROBES AND HANG DOOR FROM. DRILLED ONE SIDE AND REVERSABLE