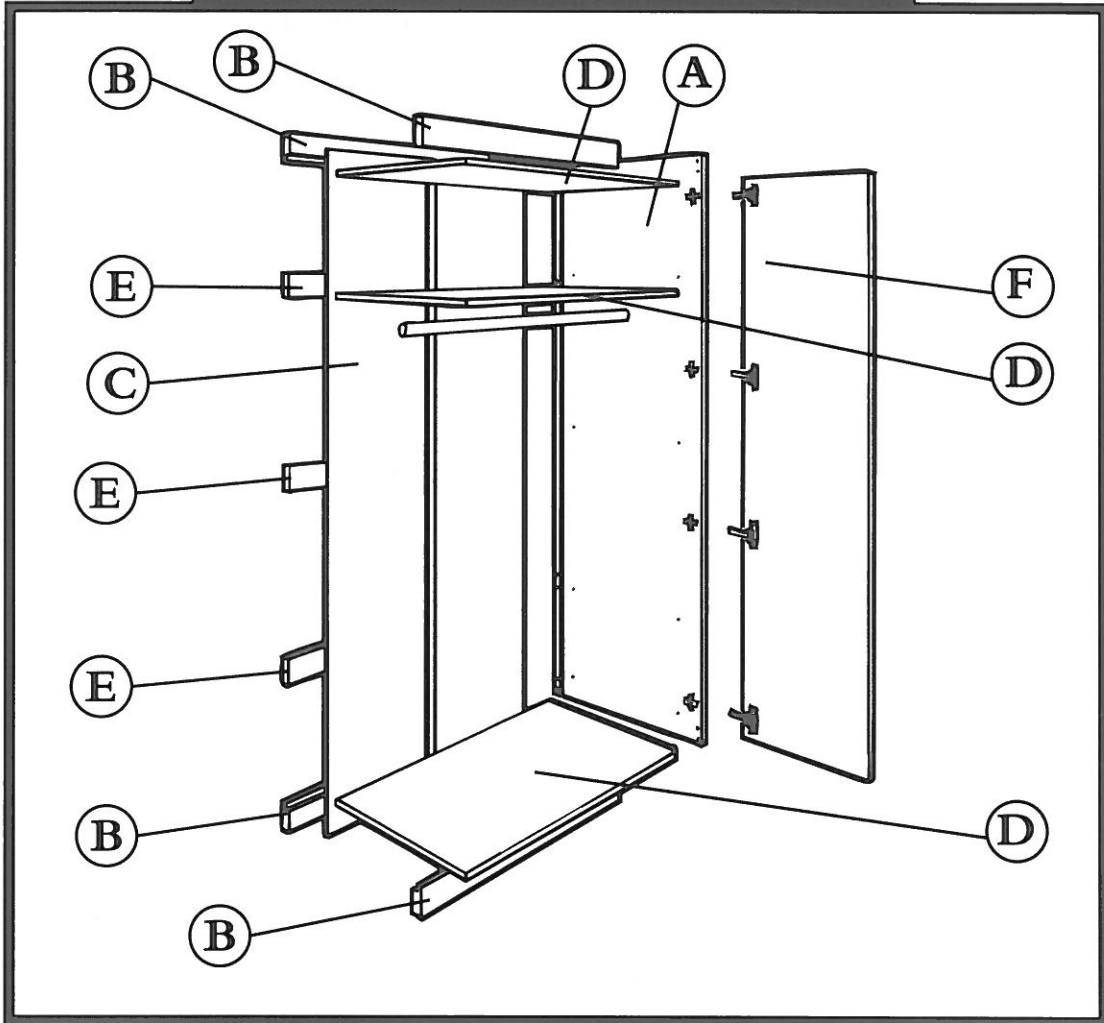


# ADD-ON ROBES

Single Add-On Robe  
Double Add-On Robe



## PARTS CHECK LIST

Code	Part	Qty
A	Internal Side Panel	1
B	Top & Bottom Rails	4
C	Back Panels	2
D	Top, Bottom & Shelf Panels	3
E	Back Rails	3
F	Universal Doors	*

\* Quantity dependent upon unit

### IMPORTANT

Before you begin, take a little time to familiarise yourself with these instructions and unpack the components carefully. Keep all the packaging until you have identified all the components and panels.

# Introduction

Add-On Robe Internal Side Panels are drilled to allow fittings on both sides.

The Internal Side Panel(s) from the last Add-On Robe(s) in a run is/are used on the main unit to replace the appropriate original End Panel(s), which, in turn is/are used on the last Add-On Robe(s), as shown below.

# Preparation

Prepare the Add-On Internal Side Panels as per the main Robe instructions. Note that fittings go on both sides.

# Assembly

Assemble the main Robe Unit first as per the main Robe instructions, but remember to replace the appropriate original End Panel(s) with Internal Side Panel(s) from the last Add-On Robe(s) in the run. The original End Panel(s) should be kept to one side for use on the last Add-On Robe(s) in the run.

Assemble the Add-On Robes as per the main Robe Unit instructions.

