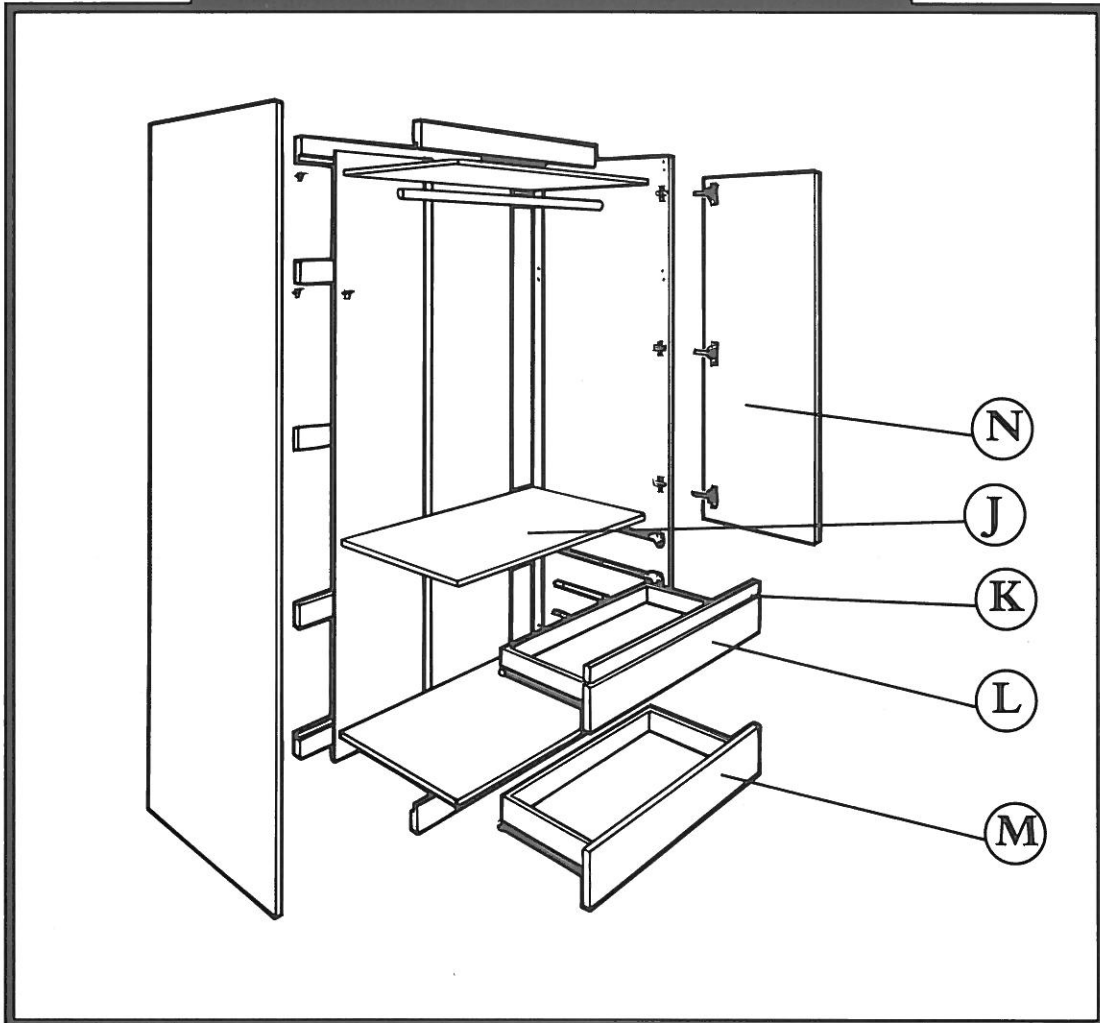


# COMBINATION ROBE

## Supplementary Instructions



## PARTS CHECK LIST

Code	Part	Qty
J	Shelf Panel	1
K	Front Facia Rail	1
L	Top Drawer Front	1
M	Mid/Bottom Drawer Front	3
N	Universal Stable Door	2

### IMPORTANT

Before you begin, take a little time to familiarise yourself with these instructions and unpack the components carefully. Keep all the packaging until you have identified all the components and panels.

# Preparation

1 Prepare the Universal End Panels as per the main Robe instructions. Note that only the top three hinge plates are fitted to each side panel.

2

Using the template supplied, drill the End Panels and fit 4 Drawer Runners to each.

15 x (4)  
67 x 32  
16 x (4)

# Assembly

Assemble the Robe Unit as per the main Robe instructions 1 to 6.

Fit the Front Facia Rail to the mid shelf and end panels with 4 Modesty Blocks (23)

# Hinges

Follow the Hinges section of the main Robe Instructions.

Note that only 3 Hinges are fitted to each Universal Stable Door.

# Drawer Construction

1

27 x 4

2

19 x 2

3 NB: Top drawers have only 2 timber dowels

21 x 4

4

20 x 2

5

Apply even application of glue into grooves

6

7

Clean off any excess glue

8

67 x 6

9